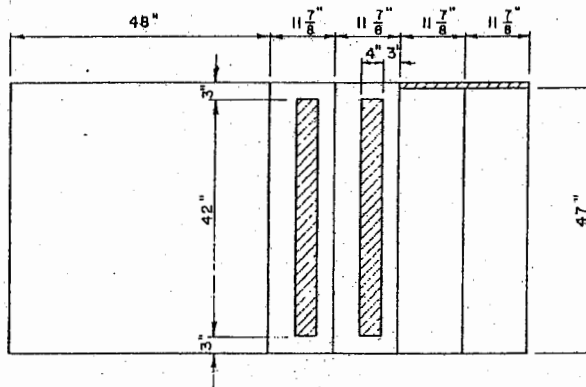
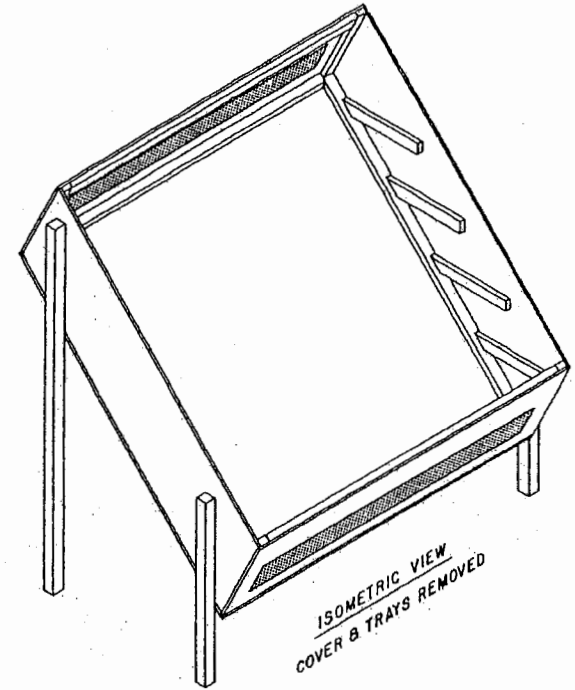
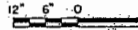


MATERIAL	QUANTITY
4' x 8' x 1/2" Exl. Plywood	1 Sheet
2" x 2"	12'
1" x 2"	120'
Alum. Or Viny Insect Screening	4' x 5'
4 - 6 Mil Clear Film	5' x 5'
1/2" x 3" "L Strap" Corner Braces	20
Misc. Supplies - Paint, Nails, Glue, etc.	As Req'd

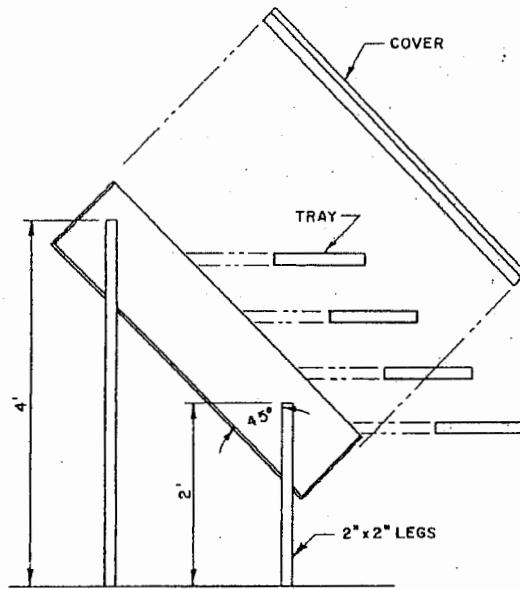
NOTE:
CONSULT LOCAL HEALTH AND BUILDING
CODE AUTHORITIES BEFORE STARTING
CONSTRUCTION.



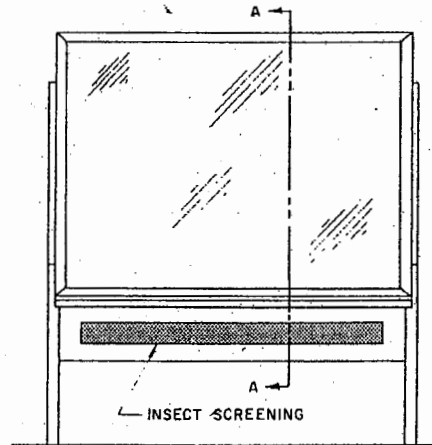
PLYWOOD CUTTING DIAGRAM



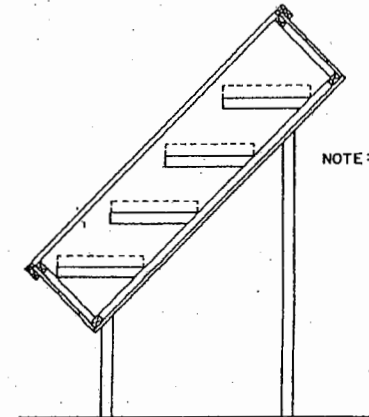
ISOMETRIC VIEW
COVER & TRAYS REMOVED



SIDE VIEW



FRONT VIEW

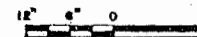


SECTION A-A

NOTE:
Fasten Cover To Box
With 4 Screen Door
Hooks

NOTE:
Do Not Use Paint That Contains Lead On Trays Or Inside Of Box.

BASED ON: OKLA. STATE UNIV.
PLAN NO. OK-770-9

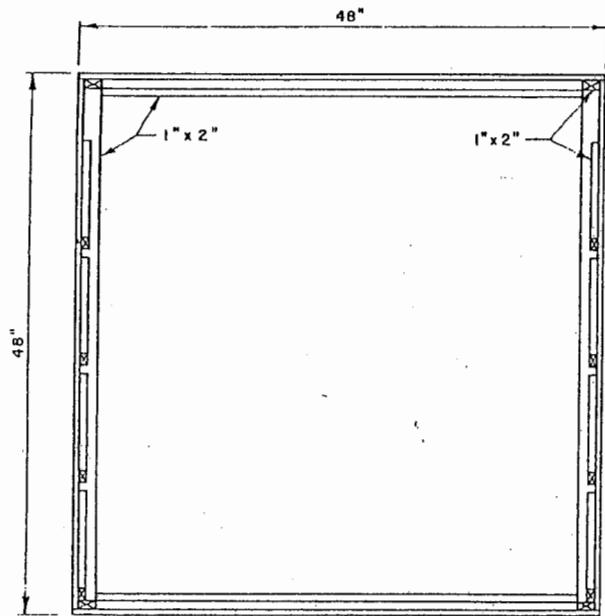


Adapted From Design By DAVID G. WAGNER &
POLLY ALLEN, Colorado State University

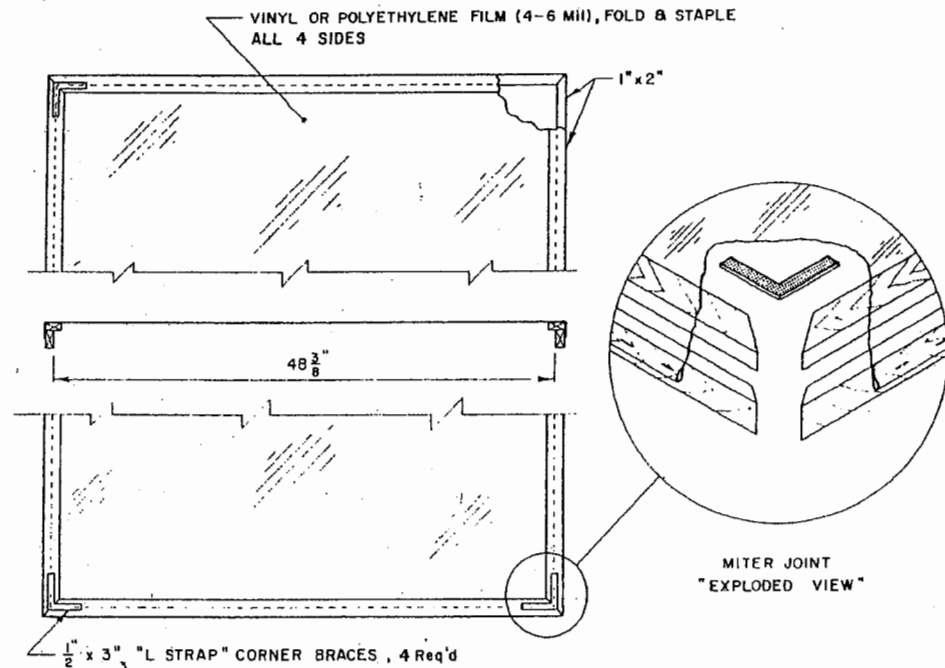


SOLAR FRUIT DRYER

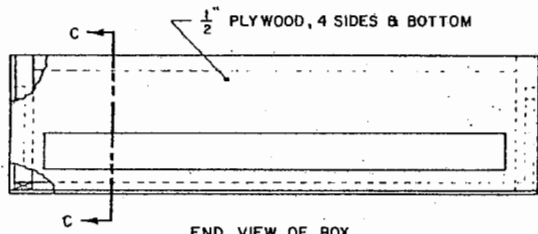
OK. '76 6244 SHEET 1 OF 2



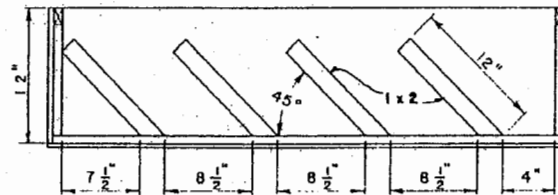
PLAN VIEW OF BOX



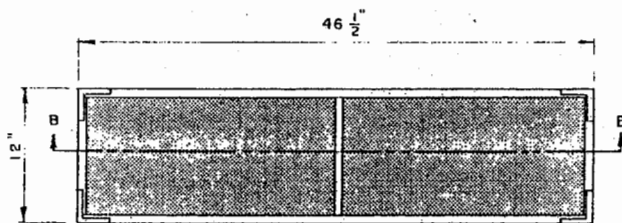
COVER



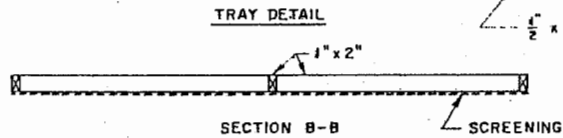
END VIEW OF BOX



SECTION C-C



TRAY DETAIL



SECTION B-B

NOTE:

1. All Joints To Be Glued & Nailed
2. Trays B Inside Of Box To Be Painted Flat Black
3. Outside Of Box & Cover Frame To Be Finished With Spar Varnish Or Exterior Paint

NO SCALE



SOLAR FRUIT DRYER

OK. '76 6244 SHEET 2 OF 2

Disclaimer

This site makes available conceptual plans that can be helpful in developing building layouts and selecting equipment for various agricultural applications. These plans do not necessarily represent the most current technology or construction codes. They are not construction plans and do not replace the need for competent design assistance in developing safe, legal and well-functioning agricultural building system. The LSU Agriculture Center, the Mid-West Plan Service, the United States Department of Agriculture and none of the cooperating land-grant universities warranty these plans.